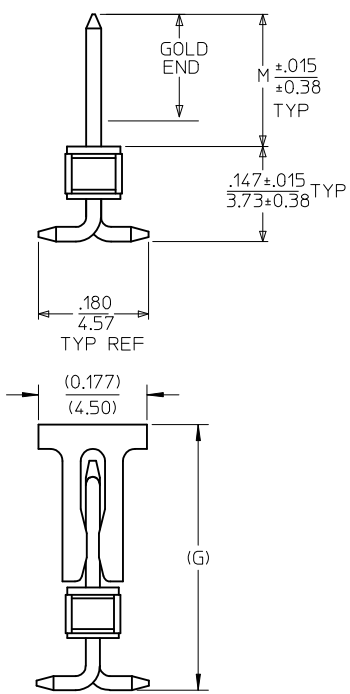
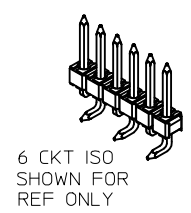
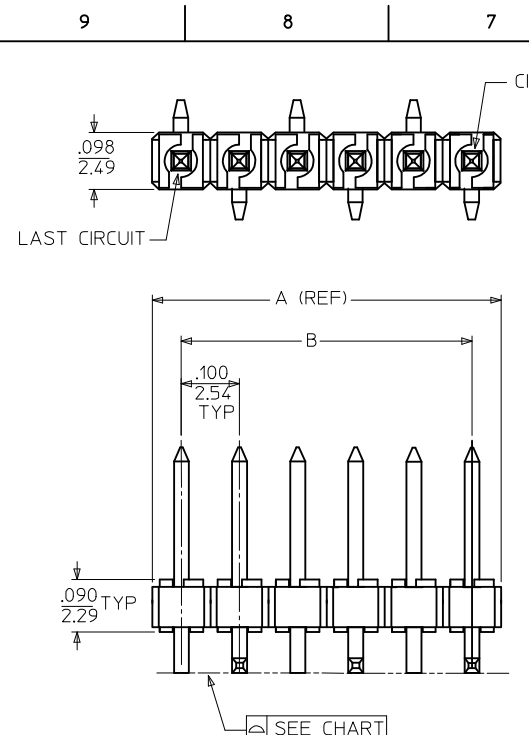
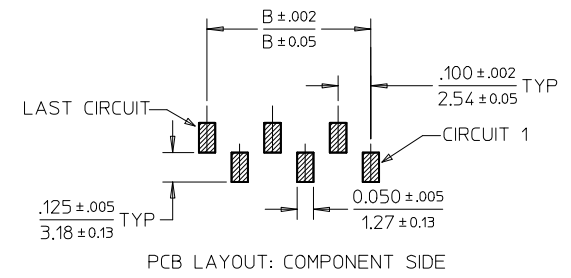


NO. OF CKTS	A	B
2	.200	
3	.300	.200
4	.400	.300
5	.500	.400
6	.600	.500
7	.700	.600
8	.800	.700
9	.900	.800
10	1.000	.900
11	1.100	1.000
12	1.200	1.100
13	1.300	1.200
14	1.400	1.300
15	1.500	1.400
16	1.600	1.500
17	1.700	1.600
18	1.800	1.700
19	1.900	1.800
20	2.000	1.900
21	2.100	2.000
22	2.200	2.100
23	2.300	2.200
24	2.400	2.300

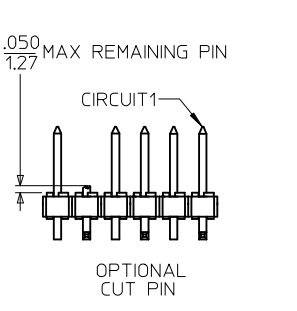


NOTES:

- MATERIAL:  
HOUSING: NYLON 46, GLASS FILLED, UL94V-0, COLOR: BLACK  
PIN: .025/0.64 SQ PIN, PHOSPHOR BRONZE
- FINISH:  
A - \*(154) OVERALL TIN: THICKNESS = .000100/0.00254 MIN  
B - (208) SELECTIVE GOLD IN CONTACT AREA: THICKNESS = .000015/0.00038 MIN  
C - (228) SELECTIVE GOLD IN CONTACT AREA: THICKNESS = .000030/0.00076 MIN.  
\* SELECTIVE TIN IN PC TAIL AREA: THICKNESS = .000100/0.00254 MIN  
OVERALL NICKEL UNDERPLATE: .000050/0.00127 MIN  
\* THE PRIMARY SHIPPING CARTON WILL BE LABELED, 'COMPLIANT TO RoHS DIRECTIVE 2002/95/EC AND ELV ANNEX II OF DIRECTIVE 2000/53/EC', AND CARTONS WITHOUT THIS LABEL MAY CONTAIN PRODUCT WITH TIN LEAD.
- PRODUCT SPEC: PS-87920-019
- PACKAGING INFORMATION:  
TUBE PACK : PK-89990-514  
TAPE & REEL : PK-68300-001
- PARTS ARE NOT STACKABLE ON .100/2.54 CENTERS.
- TWO CKT PARTS WILL REQUIRE SUPPORT DURING THE SOLDER PROCESS.
- PLEASE CONTACT SALES/ FACTORY FOR TOOLING ACTIVATION OF TAPE & REEL PACKAGING.



CKTS	COPLANARITY
2-6	.006/(0.15)
7-14	.010/(0.25)
15-24	.012/(0.30)



PDR#1871, ADD 68301160  
EC NO: S2009-0269  
DRWN: YMCHONG 2008/10/15  
CHKD: SKANG 2008/10/16  
APPR: MLONG 2008/10/16


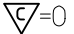
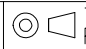

QUALITY SYMBOLS	GENERAL TOLERANCES (UNLESS SPECIFIED)		DIMENSION STYLE		SCALE	DESIGN UNITS	THIRD ANGLE PROJECTION
	mm	INCH	IN/MM		NTS	INCH	
▽=0	4 PLACES ± ---	± ---	DRAWN BY	DATE	TITLE		
∇=0	3 PLACES ± ---	± .005	CHECKED BY	DATE	CUSTOM HEADER		
	2 PLACES ± 0.13	± .010	APPROVED BY	DATE	.100/(2.54) CENTERLINE		
	1 PLACE ± 0.25	± ---	EDGLE Y	2000/10/28	VERTICAL/SMT SINGLE ROW		
	ANGULAR ± 1/2°		MATERIAL NO.		MOLEX INCORPORATED		
DRAFT WHERE APPLICABLE MUST REMAIN WITHIN DIMENSIONS			SEE TABLE		DOCUMENT NO.		SHEET NO.
			SIZE A3		THIS DRAWING CONTAINS INFORMATION THAT IS PROPRIETARY TO MOLEX INCORPORATED AND SHOULD NOT BE USED WITHOUT WRITTEN PERMISSION		1 OF 5

	10	9	8	7	6	5	4	3	2	1	
	MATERIAL NO	PIN NO	OPTIONAL SUB ASSY	PLT REF	DIM M	DIM G	CKT SIZE	VOID CKT #	KINKED PIN	PICK & PLACE CAP	CUT PIN CKT NO.
F	68301-1007	42663-ABA154	42375-0010	154	.240 6.10	.433 10.99	10	NONE	NONE	YES	-
	68301-1109	42663-AWA154	42375-0115	154	.320 8.13	-	10	NONE	NONE	-	-
	68301-1159	42663-AWA154	42375-0116	154	.320 8.13	.513 13.02	11	NONE	NONE	YES	-
	68301-1063	42663-ABA154	-	154	.240 6.10	-	12	NONE	NONE	-	-
	68301-1111	42663-AWA154	42375-0117	154	.320 8.13	-	12	NONE	NONE	-	-
	68301-1157	42663-DMB208	NONE	208	.605 15.37	-	12	NONE	NONE	-	-
E	68301-1065	42663-ABA154	42375-0014	154	.240 6.10	-	14	NONE	NONE	-	-
	68301-1129	42663-AWB208	42375-0154	208	.320 8.13	-	14	NONE	NONE	-	-
	68301-1113	42663-AWA154	42375-0121	154	.320 8.13	-	14	NONE	NONE	-	-
	68301-1066	42663-ABA154	42375-0015	154	.240 6.10	-	15	NONE	NONE	-	-
	68301-1067	42663-ABA154	42375-0016	154	.240 6.10	-	16	NONE	NONE	-	-
	68301-1115	42663-AWA154	42375-0121	154	.320 8.13	-	16	NONE	NONE	-	-
D	68301-1069	42663-ABA154	42375-0018	154	.240 6.10	-	18	NONE	NONE	-	-
	68301-1117	42663-AWA154	42375-0123	154	.320 8.13	-	18	NONE	NONE	-	-
	68301-1119	42663-AWA154	42375-0125	154	.320 8.13	-	20	NONE	NONE	-	-
	68301-1071	42663-ABA154	42375-0020	154	.240 6.10	-	20	NONE	NONE	-	-
	68301-1072	42663-ABA154	42375-0021	154	.240 6.10	-	21	NONE	NONE	-	-
	68301-1123	42663-AWA154	42375-0129	154	.320 8.13	-	24	NONE	NONE	-	-
C											

B										
---	--	--	--	--	--	--	--	--	--	--

A	PDR#1871, ADD 683011160 EC NO: S2009-0269 DRWN: YCHONG 2008/10/15 CHKD: SKANG 2008/10/16 APPR: MLONG 2008/10/16	QUALITY SYMBOLS	GENERAL TOLERANCES (UNLESS SPECIFIED)	DIMENSION STYLE	SCALE	DESIGN UNITS	THIRD ANGLE PROJECTION																																					
		= 0 = 0	<table border="1"> <tr> <th></th> <th>mm</th> <th>INCH</th> </tr> <tr> <td>4 PLACES</td> <td>± ---</td> <td>± ---</td> </tr> <tr> <td>3 PLACES</td> <td>± ---</td> <td>± .005</td> </tr> <tr> <td>2 PLACES</td> <td>± 0.13</td> <td>± .010</td> </tr> <tr> <td>1 PLACE</td> <td>± 0.25</td> <td>± ---</td> </tr> </table>		mm	INCH	4 PLACES	± ---	± ---	3 PLACES	± ---	± .005	2 PLACES	± 0.13	± .010	1 PLACE	± 0.25	± ---	<table border="1"> <tr> <th>IN/MM</th> <th>DRAWN BY</th> <th>DATE</th> <th>TITLE</th> </tr> <tr> <td></td> <td>SAMIAC</td> <td>2000/10/28</td> <td rowspan="4">           CUSTOM HEADER            .100/(2.54) CENTERLINE            VERTICAL/SMT SINGLE ROW            MOLEX INCORPORATED         </td> </tr> <tr> <td></td> <td>CHECKED BY</td> <td>DATE</td> </tr> <tr> <td></td> <td>SAMI EC</td> <td>2000/10/28</td> </tr> <tr> <td></td> <td>APPROVED BY</td> <td>DATE</td> </tr> <tr> <td></td> <td></td> <td>EDGLE Y</td> <td>2000/10/28</td> <td></td> </tr> </table>	IN/MM	DRAWN BY	DATE	TITLE		SAMIAC	2000/10/28	CUSTOM HEADER .100/(2.54) CENTERLINE VERTICAL/SMT SINGLE ROW MOLEX INCORPORATED		CHECKED BY	DATE		SAMI EC	2000/10/28		APPROVED BY	DATE			EDGLE Y	2000/10/28		NTS	INCH	
			mm	INCH																																								
		4 PLACES	± ---	± ---																																								
3 PLACES	± ---	± .005																																										
2 PLACES	± 0.13	± .010																																										
1 PLACE	± 0.25	± ---																																										
IN/MM	DRAWN BY	DATE	TITLE																																									
	SAMIAC	2000/10/28	CUSTOM HEADER .100/(2.54) CENTERLINE VERTICAL/SMT SINGLE ROW MOLEX INCORPORATED																																									
	CHECKED BY	DATE																																										
	SAMI EC	2000/10/28																																										
	APPROVED BY	DATE																																										
		EDGLE Y	2000/10/28																																									
DESCRIPTION	<table border="1"> <tr> <th>REV</th> <th>DESCRIPTION</th> </tr> <tr> <td>M4</td> <td></td> </tr> </table>	REV	DESCRIPTION	M4		<table border="1"> <tr> <th>SIZE</th> <th>THIS DRAWING CONTAINS INFORMATION THAT IS PROPRIETARY TO MOLEX INCORPORATED AND SHOULD NOT BE USED WITHOUT WRITTEN PERMISSION</th> </tr> <tr> <td>A3</td> <td></td> </tr> </table>	SIZE	THIS DRAWING CONTAINS INFORMATION THAT IS PROPRIETARY TO MOLEX INCORPORATED AND SHOULD NOT BE USED WITHOUT WRITTEN PERMISSION	A3		<table border="1"> <tr> <th>MATERIAL NO.</th> <th>DOCUMENT NO.</th> <th>SHEET NO.</th> </tr> <tr> <td>SEE TABLE</td> <td>SD-68301-001</td> <td>2 OF 5</td> </tr> </table>	MATERIAL NO.	DOCUMENT NO.	SHEET NO.	SEE TABLE	SD-68301-001	2 OF 5																											
REV	DESCRIPTION																																											
M4																																												
SIZE	THIS DRAWING CONTAINS INFORMATION THAT IS PROPRIETARY TO MOLEX INCORPORATED AND SHOULD NOT BE USED WITHOUT WRITTEN PERMISSION																																											
A3																																												
MATERIAL NO.	DOCUMENT NO.	SHEET NO.																																										
SEE TABLE	SD-68301-001	2 OF 5																																										
		DRAFT WHERE APPLICABLE MUST REMAIN WITHIN DIMENSIONS																																										

	10	9	8	7	6	5	4	3	2	1
	MATERIAL NO	PIN NO	OPTIONAL SUB ASSY	PLT REF	DIM M	CKT SIZE	VOID CKT #	KINKED PIN	PICK & PLACE CAP	CUT PIN CKT NO.
F	68301-1054	42663-ABA154	42375-0002	154	.240 6.10	2	NONE	NONE	-	-
	68301-1055	42663-ABB208	42375-0037	208	.240 6.10	2	NONE	NONE	-	-
	68301-1056	42663-ABB228	42375-0072	228	.240 6.10	2	NONE	NONE	-	-
	68301-1051	42663-AWA154	42375-0107	154	.320 8.13	2	NONE	NONE	-	-
	68301-1009	42663-ABB208	42375-0038	208	.240 6.10	3	NONE	NONE	-	-
	68301-1014	42663-ABA154	42375-0003	154	.240 6.10	3	NONE	NONE	-	-
E	68301-1020	42663-ABB228	42375-0073	228	.240 6.10	3	NONE	NONE	-	-
	68301-1031	42663-AWA154	42375-0108	154	.320 8.13	3	NONE	NONE	-	-
	68301-1037	42663-AWB208	42375-0143	208	.320 8.13	3	NONE	NONE	-	-
	68301-1010	42663-ABB208	42375-0039	208	.240 6.10	4	NONE	NONE	-	-
	68301-1015	42663-ABA154	42375-0004	154	.240 6.10	4	NONE	NONE	-	-
	68301-1021	42663-ABB228	42375-0074	228	.240 6.10	4	NONE	NONE	-	-
D	68301-1032	42663-AWA154	42375-0109	154	.320 8.13	4	NONE	NONE	-	-
	68301-1038	42663-AWB208	42375-0144	208	.320 8.13	4	NONE	NONE	-	-
	68301-1006	42663-ABB208	42375-0040	208	.240 6.10	5	NONE	NONE	-	-
	68301-1016	42663-ABA154	42375-0005	154	.240 6.10	5	NONE	NONE	-	-
	68301-1033	42663-AWA154	42375-0110	154	.320 8.13	5	NONE	NONE	-	-
	68301-1039	42663-AWB208	42375-0145	208	.320 8.13	5	NONE	NONE	-	-

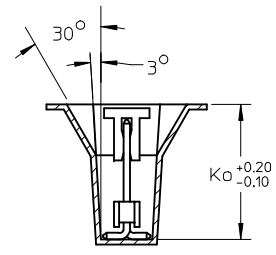
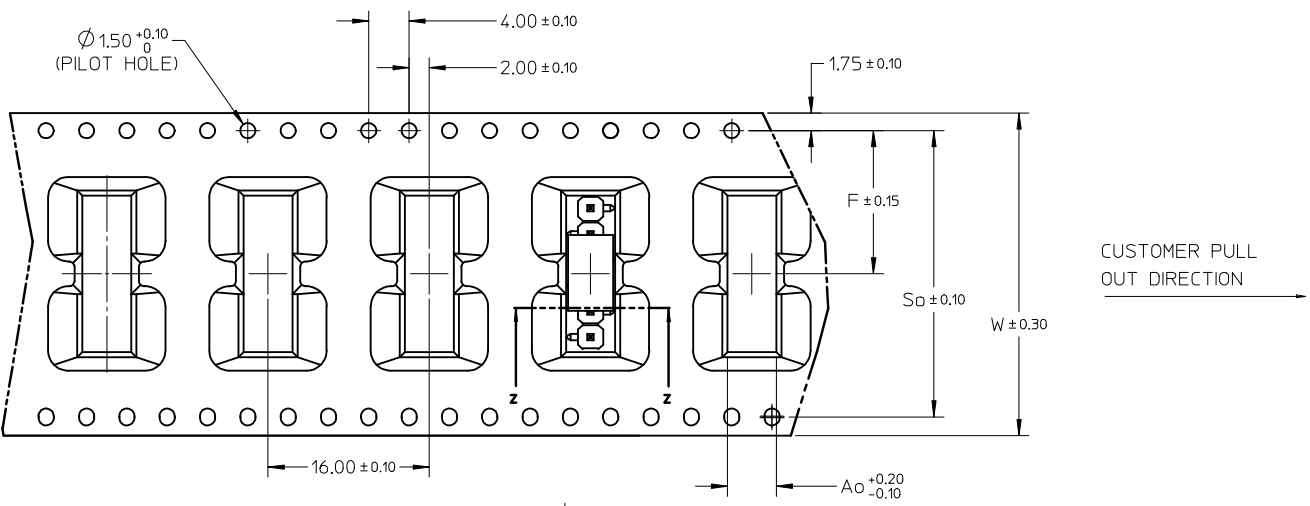
PDR#1871, ADD 68301160 EC NO: S2009-0269 DRWN: YCHONG 2008/10/15 CHKD: SKANG 2008/10/16 APPR: MLONG 2008/10/16	QUALITY SYMBOLS	GENERAL TOLERANCES (UNLESS SPECIFIED)	DIMENSION STYLE	SCALE	DESIGN UNITS	THIRD ANGLE PROJECTION																													
	 = 0  = 0.005	<table border="1"> <tr> <th></th> <th>mm</th> <th>INCH</th> </tr> <tr> <td>4 PLACES</td> <td>± ---</td> <td>± ---</td> </tr> <tr> <td>3 PLACES</td> <td>± ---</td> <td>± .005</td> </tr> <tr> <td>2 PLACES</td> <td>± 0.13</td> <td>± .010</td> </tr> <tr> <td>1 PLACE</td> <td>± 0.25</td> <td>± ---</td> </tr> </table>		mm	INCH	4 PLACES	± ---	± ---	3 PLACES	± ---	± .005	2 PLACES	± 0.13	± .010	1 PLACE	± 0.25	± ---	<table border="1"> <tr> <th colspan="2">IN/MM</th> </tr> <tr> <td>DRAWN BY</td> <td>DATE</td> </tr> <tr> <td>SAMIAC</td> <td>2000/10/28</td> </tr> <tr> <td>CHECKED BY</td> <td>DATE</td> </tr> <tr> <td>SAMIAC</td> <td>2000/10/28</td> </tr> <tr> <td>APPROVED BY</td> <td>DATE</td> </tr> <tr> <td>EDGLEJ</td> <td>2000/10/28</td> </tr> </table>	IN/MM		DRAWN BY	DATE	SAMIAC	2000/10/28	CHECKED BY	DATE	SAMIAC	2000/10/28	APPROVED BY	DATE	EDGLEJ	2000/10/28	NTS	INCH	
		mm	INCH																																
	4 PLACES	± ---	± ---																																
3 PLACES	± ---	± .005																																	
2 PLACES	± 0.13	± .010																																	
1 PLACE	± 0.25	± ---																																	
IN/MM																																			
DRAWN BY	DATE																																		
SAMIAC	2000/10/28																																		
CHECKED BY	DATE																																		
SAMIAC	2000/10/28																																		
APPROVED BY	DATE																																		
EDGLEJ	2000/10/28																																		
DESCRIPTION	DRAFT WHERE APPLICABLE MUST REMAIN WITHIN DIMENSIONS	MATERIAL NO. <b>SEE TABLE</b>	TITLE <b>CUSTOM HEADER          .100/(2.54) CENTERLINE          VERTICAL/SMT SINGLE ROW</b>	 <b>MOLEX INCORPORATED</b>	DOCUMENT NO. <b>SD-68301-001</b>	SHEET NO. <b>3 OF 5</b>																													

	10	9	8	7	6	5	4	3	2	1		
	ASSEMBLY TUBE	ASSEMBLY IN T&R WITH CAP	PIN NO	OPTIONAL SUB ASSY	PLT REF	DIM M	DIM G	CKT SIZE	VOID CKT #	KINKED PIN	PICK & PLACE CAP	CUT PIN CKT NO.
F	68301-1011	-	42663-ABB208	42375-0041	208	.240 6.10	-	6	NONE	NONE	-	-
	68301-1017	-	42663-ABA154	42375-0006	154	.240 6.10	-	6	NONE	NONE	-	-
	68301-1160	68301-1034	42663-AWA154	42375-0111	154	.320 8.13	.513 13.02	6	NONE	NONE	YES	-
	68301-1040	-	42663-AWB208	42375-0146	208	.320 8.13	-	6	NONE	NONE	-	-
	68301-1023	-	42663-ABB228	42375-0076	228	.240 6.10	-	6	NONE	NONE	-	-
	68301-1012	-	42663-ABB208	42375-0042	208	.240 6.10	-	7	NONE	NONE	-	-
E	68301-1018	-	42663-ABA154	42375-0007	154	.240 6.10	-	7	NONE	NONE	-	-
	68301-1035	-	42663-AWA154	42375-0112	154	.320 8.13	-	7	NONE	NONE	-	-
	68301-1041	-	42663-AWB208	42375-0147	208	.320 8.13	-	7	NONE	NONE	-	-
	68301-1013	-	42663-ABB208	42375-0043	208	.240 6.10	-	8	NONE	NONE	-	-
	68301-1029	-	42663-ABB228	-	228	.240 6.10	-	8	NONE	NONE	-	-
	68301-1019	-	42663-ABA154	42375-0008	154	.240 6.10	-	8	NONE	NONE	-	-
D	68301-1028	-	42663-CNB228	-	228	.505 12.83	-	8	NONE	NONE	-	-
	68301-1036	-	42663-AWA154	42375-0113	154	.320 8.13	-	8	NONE	NONE	-	-
	68301-1042	-	42663-AWB208	42375-0148	208	.320 8.13	-	8	NONE	NONE	-	-
	68301-0800	-	42663-DMB208	-	208	.605 15.37	-	8	NONE	NONE	-	-
	68301-1076	-	42663-ABB208	42375-0044	208	.240 6.10	-	9	NONE	NONE	-	-
	68301-1060	-	42663-ABA154	-	154	.240 6.10	-	9	NONE	NONE	-	-

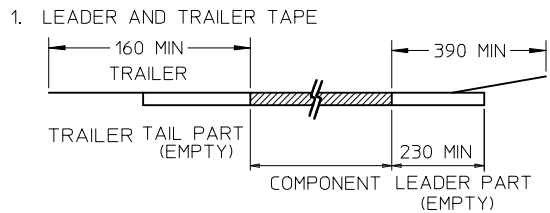
C												
B												

A	PDR#1871, ADD 683011160 EC NO: S2009-0269 DRWN:YCHONG 2008/10/15 CHKD:SKANG 2008/10/16 APPR:MLONG 2008/10/16	QUALITY SYMBOLS ▽=0 ⊕=0	DESCRIPTION REV	M4	GENERAL TOLERANCES (UNLESS SPECIFIED)	DIMENSION STYLE		DRAWN BY SAMIAC	DATE 2000/10/28	TITLE CUSTOM HEADER .100/(2.54) CENTERLINE VERTICAL/SMT SINGLE ROW	SCALE NTS	DESIGN UNITS INCH	THIRD ANGLE PROJECTION				
						IN/MM								APPROVED BY EDGLE Y	DATE 2000/10/28		
						mm	INCH									MATERIAL NO. SEE TABLE	DOCUMENT NO. SD-68301-001
						4 PLACES ± --- ± ---	3 PLACES ± --- ± .005										
2 PLACES ± 0.13 ± .010	1 PLACE ± 0.25 ± ---																
DRAFT WHERE APPLICABLE MUST REMAIN WITHIN DIMENSIONS					THIS DRAWING CONTAINS INFORMATION THAT IS PROPRIETARY TO MOLEX INCORPORATED AND SHOULD NOT BE USED WITHOUT WRITTEN PERMISSION												

CKT SIZE	QTY/ REEL	A <sub>0</sub>	K <sub>0</sub>	F	S <sub>0</sub>	W
6	230	4.85	13.40	14.20	28.40	32.00
10	230	4.90	11.30	20.20	40.40	44.00



NOTES:



2. PEELING OFF FORCE OF THE TOP TAPE: 60gf MAX.  
(PEELING DIRECTION AS SHOWN IN FOLLOWING FIGURE)



3. THE TAPE IS TREATED FOR ANTI ESD  
4. PACKAGING STANDARD AS PER EIA-481.  
5. ABOVE PACKAGING ILLUSTRATION IS FOR 6CKT ONLY.

PDR#1871, ADD 68301160 EC NO: S2009-0269 DRWN:YMCCHONG 2008/10/15 CHKD:SKANG 2008/10/16 APPR:MLONG 2008/10/16	QUALITY SYMBOLS	GENERAL TOLERANCES (UNLESS SPECIFIED)	DIMENSION STYLE	SCALE	DESIGN UNITS	THIRD ANGLE PROJECTION
	DESCRIPTION	mm INCH	IN/MM	NTS	INCH	

4 PLACES	± ---	± ---
3 PLACES	± ---	± .005
2 PLACES	± 0.13	± .010
1 PLACE	± 0.25	± ---
ANGULAR ± 1/2°		
DRAFT WHERE APPLICABLE MUST REMAIN WITHIN DIMENSIONS		

DRAWN BY	DATE	TITLE
SAMIAC	2000/10/28	CUSTOM HEADER
CHECKED BY	DATE	
SAMIEC	2000/10/28	.100/(2.54) CENTERLINE
APPROVED BY	DATE	VERTICAL/SMT SINGLE ROW
EDGLEJ	2000/10/28	
MATERIAL NO.	DOCUMENT NO.	
SEE TABLE	SD-68301-001	
SIZE	THIS DRAWING CONTAINS INFORMATION THAT IS PROPRIETARY TO MOLEX INCORPORATED AND SHOULD NOT BE USED WITHOUT WRITTEN PERMISSION	
A3		

MOLEX INCORPORATED		SHEET NO.
SD-68301-001		5 OF 5